



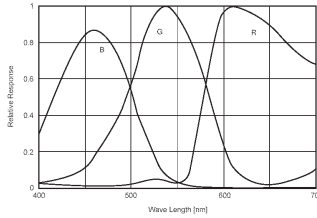
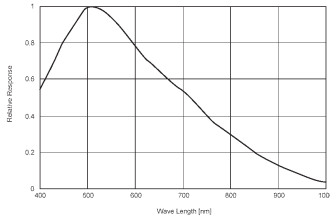
adept electronic

adept
electronic solutions

**The Machine Vision and
Imaging Specialists**

Perth: +61 (08) 9242 5411
Sydney: +61 (02) 9979 2599
Melbourne: +61 (03) 9555 5621
Email: adept@adept.net.au
Web: <http://www.adept.net.au>

AVT Marlin F-201B / F-201C



Sensor specifications b/w; color (extracted from the data sheet of the sensor - excluding lens and filter)

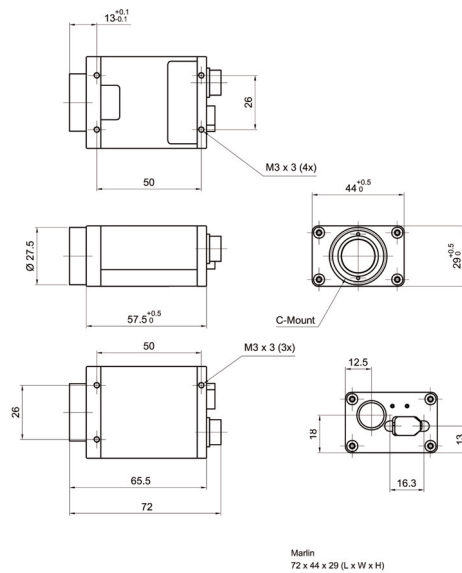
Aoi height / pixel	Frame rate / fps
1200	12.8
1024	14.7
960	15.5
600	22.9
480	27.2
240	43.3
120	61.6

Format_7 Raw8/Mono8

Pin	Descriptions	Use
1	Ground	GND for RS232 and ext. power
2	Power In (CCD only)	
3		
4	Input1/Trigger	TTL, Edge, progr.
5		
6	Output 1 /IntEna	Open emitter
7	Input Ground	Common ground for inputs
8	RS232 RxD	
9	RS232 TxD	
10	OutVCC	Common VCC for outputs
11	Input 2	TTL
12	Output 2	Open emitter



Connections



Dimensions

Camera Specifications

	MARLIN F-201B (b/w)	MARLIN F-201C (color)
Image device	Type 1/1.8 (diag. 9 mm) progressive scan SONY CCD	
Effective picture elements	1628 (H) x 1236 (V): mono	1628 (H) x 1236 (V): @ Raw8; 1628 (H) x 1234 (V): @ YUV, RGB
Picture size	Up to 1600 x 1200 pixels (Format_2); supporting all smaller fixed formats; up to 1628 x 1236 pixels (Format_7 Mode_1)	
Cell size	4.4 μm x 4.4 μm	
Resolution depth	8 bit / 10 bit (b/w only); 12 bit (ADC)	
Lens mount	C-Mount	
Digital interface	IEEE 1394 IIDC v. 1.3	
Transfer rate	100 Mbit/s , 200 Mbit/s, 400 Mbit/s	
Frame rates	Up to 12.5 Hz in Format_7 Mode_0; 5 Hz (RGB8)	
Gain control	Manual: 0-24 dB (0.035 dB/step); auto gain (select. AOI)	
Shutter speed	20... 67.108.864 μs (67 s); auto shutter (select. AOI)	
External trigger shutter	Trigger_Mode_0, Trigger_Mode_1, advanced feature: Trigger_Mode_15 (bulk); image transfer by command; trigger delay	
Smart features	Real-time shading correction; image sequencing; built in FIFO memory up to 2 frames; one user programmable look-up table; 2 configurable inputs, 2 configurable outputs; image mirror (L-R<->R-L), binning, secure image signature (SIS), user profiles, serial port (IIDC V1.3)	
Power requirements	DC 8 V – 36 V via IEEE 1394 cable or 12-pin HIROSE	
Power consumption	Less than 3 watt (@ 12 V DC)	
Dimensions	72 mm x 44 mm x 29 mm (L x W x H); w/o tripod and lens	
Mass	<120 g (without lens)	
Operating temperature	+ 5 ...+ 45 °Celsius	
Storage temperature	- 10 ...+ 60 °Celsius	
Regulations	EN 55022, EN 61000, EN 55024, FCC Class B; DIN ISO 9022, RoHS (2002/95/EC)	
Options	Removable IR cut filter; host adapter card, IEEE 1394 cable, AVT FirePackage / Direct FirePackage / Fire4Linux	