

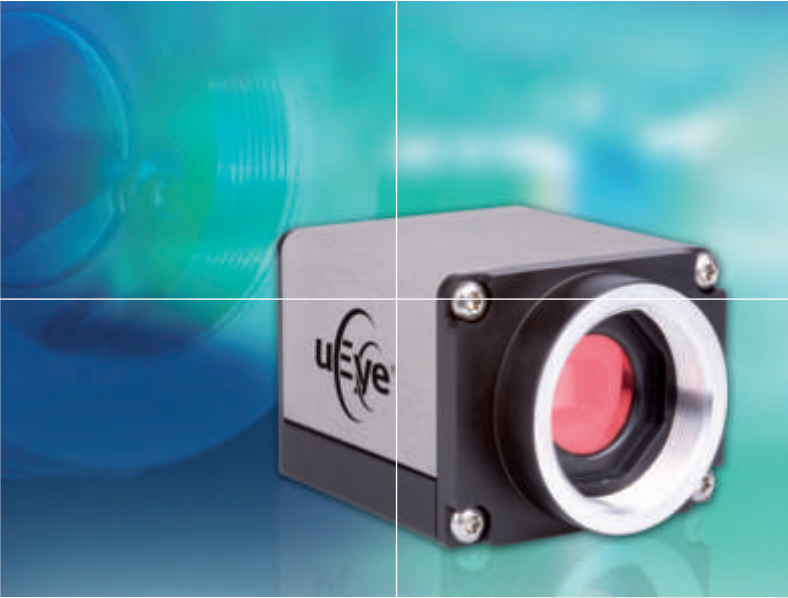


adept electronic

adept electronic solutions

The Machine Vision and Imaging Specialists

Perth: +61 (08) 9242 5411
Sydney: +61 (02) 9979 2599
Melbourne: +61 (03) 9555 5621
Email: adept@adept.net.au
Web: <http://www.adept.net.au>



iDS



1280
1024

GigE uEye[®] UI-6240SE-C/M

1.3 Megapixels SXGA Camera with 1/2" CCD Sensor

GigE uEye® SE

UI-6240SE-M / UI-6240SE-C



The characteristics at a glance

Gigabit Ethernet
 CCD (Sony)
 UI-6240SE-C
 UI-6240SE-M

Interface
 Sensor Technology
 Model description (color)
 Model description (Mono)
 Resolution (h x v)
 Resolution Category / Pixel Class

1280 x 1024
 SXGA / 1,3 MP

Sensor size
 Shutter

1/2"
 Global

max. fps in Freerun Mode at full resolution
 max. fps in SW Trigger Mode at 1 ms exposure

15 fps
 15 fps

Exposuretime in Freerun Mode
 Exposuretime in Trigger Mode

83 µs - 1,46 s
 83 µs - 10 min

AOI Modes
 AOI with 320 x 240 Pixels (CIF)

H + V²
 38 fps

Subsampling Modes
 Subsampling Factors
 Resolution, fps

V² (Color)
 x4
 320 x 256, 31 fps

Binning Modes
 Binning Method

H + V² (Mono)
 H + V: Sum

Binning Factors
 Resolution, fps

x2, x3, x4
 640 x 512, 23 fps
 424 x 340, 28 fps
 320 x 256, 31 fps
 13,66x

Mono: Maximum Gain
 Color: Maximum Gain RGB/Master
 Additional Gain Boost with Factor

4x /8,9x
 2x (Mono)

Sensor Model
 Pixel Clock

ICX205
 5 - 30 MHz

Pixelpitch in µm
 Full Well Capacity
 Optical Size
 Aspect Ratio
 Exact Real Diagonal

4,65
 12.000 e-
 5,95 x 4,76 mm
 5:4
 7,6 mm, 1/2,1"

In scope of delivery:

- Powerful, easy to handle uEye SDK
- uEye Demo and Programexamples executable and Source Code.
- uEye Camera Manager
- TWAIN, Active-X and Direct Show (WDM) drivers
- Interfaces for Activision Tools, Common Vision Blox, HALCON, LabVIEW and Neurocheck
- GeniCam™ Interface

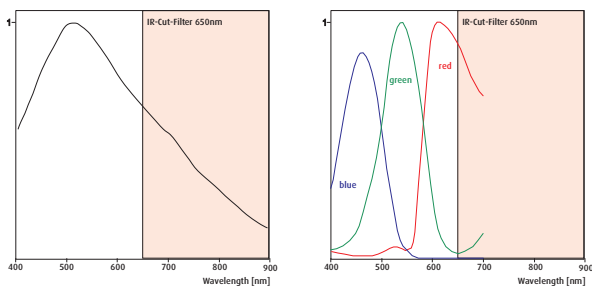
² = Use increases frame rate
 * = in preparation

Driver for Windows 2000, XP, VISTA and Linux*



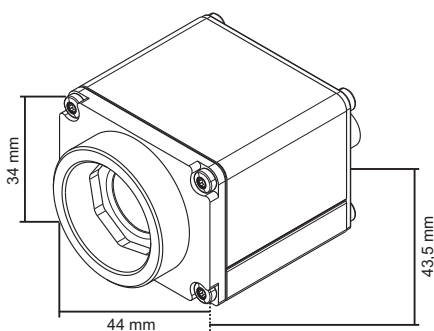
The GigE uEye® SE family

The GigE uEye® SE extends the broad range of uEye® industrial cameras by very compact models with Gigabit Ethernet interface, specially tailored to the needs of plant and machinery manufacturers. The bandwidth is 2.5 times higher than with USB and cable lengths up to 100 m are possible.



Sensor Characteristics UI-6240SE-M

UI-6240SE-C



Dimensions GigE uEye SE CCD-Model