



Specifications sheet

Model BV-L1050 50mm Fixed focal length lens for multi line sensors cameras

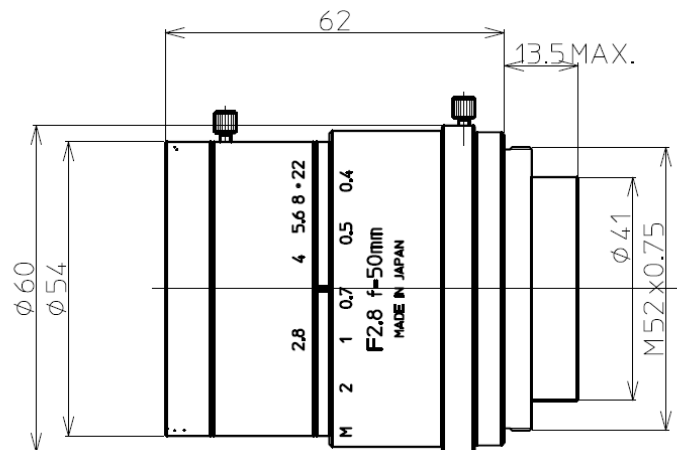
Feature The BV-L1050 is designed to use with multi line sensors cameras and is high resolution lens of 7 μ m pixel size (4000TV lines). The BV-L1050 has the spectral response from the visible wave length to near infrared wave length (NIR) and it is suitable for multi spectral camera.

Specifications

Model Name	BV-L1050
Image sensor length	30 mm
Flange back (in air)	46.5 mm
Focal length	f=50 mm
Maximum aperture ratio	F2.8
Iris diaphragm range	F2.8 ~ F22
Best focusing range (*1)	0.4m ~ 2.0m
Minimum object distance (*1)	0.4 m
Angle of view	32.09° Conditions: Image height 15mm and Object distance 2m
Spectral wave length range	400nm ~ 900nm
Exit pupil	-300.0 mm
Distortion (*2)	0.02% @ 2.0M (in TV indication)
Applicable pixel size	7 μ m
Filter diameter	M52x P 0.75
Mount	M52 mount, Nikon F mount
Weight	305g

(*1) Measured from the mount surface (*2) Design value

Outlook



Note: Specifications are subject to change without notice.