

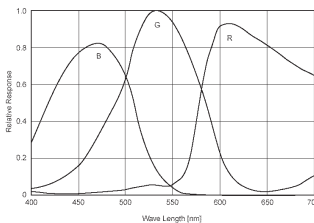
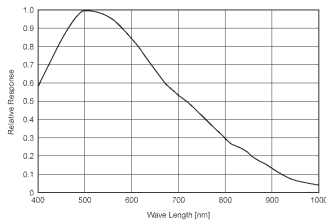


adept
adept electronic solutions

**The Machine Vision and
Imaging Specialists**

Perth: +61 (08) 9242 5411
Sydney: +61 (02) 9979 2599
Melbourne: +61 (03) 9555 5621
Email: adept@adept.net.au
Web: <http://www.adept.net.au>

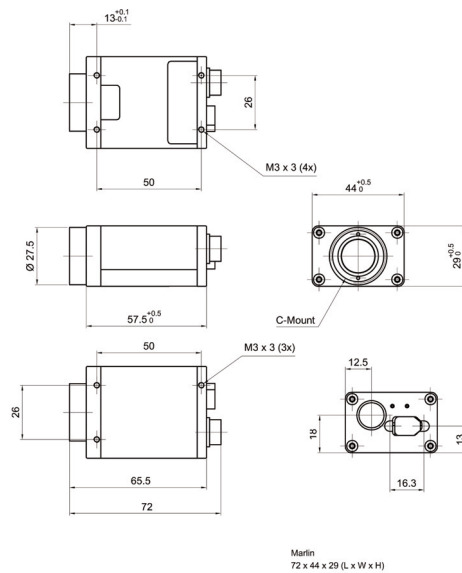
AVT Marlin F-046B / F-046C



Sensor specifications b/w; color (extracted from the data sheet of the sensor - excluding lens and filter)

AOI height / pixel	Frame rate / fps	Tf / ms
582	53.02	18.86
480	62.51	16.00
400	72.70	13.75
320	86.88	11.51
300	91.33	10.95
240	107.92	9.27
120	169.48	5.90
20	323.07	3.10

Pin	Descriptions	Use
1	Ground	GND for RS232 and ext. power
2	Power In (CCD only)	
3		
4	Input1/Trigger	TTL, Edge, progr.
5		
6	Output 1 /IntEna	Open emitter
7	Input Ground	Common ground for inputs
8	RS232 RxD	
9	RS232 TxD	
10	OutVCC	Common VCC for outputs
11	Input 2	TTL
12	Output 2	Open emitter



Connections

Dimensions

Camera Specifications

	MARLIN F-046B (b/w)	MARLIN F-046C (color)
Image device	Type 1/2 (diag. 8 mm) progressive scan, SONY CCD	
Effective picture elements	780 (H) x 582 (V): mono	780 (H) x 582 (V) @ Raw8; 780 (H) x 580 (V) @ YUV, RGB
Picture size	640 x 480 pixels (Format_0); 780 x 582 pixels (Format_7 Mode_0)	640 x 480 pixels (Format_0); 780 x 582 pixels (Format_7 Mode_0)
Cell size	8.3 μm x 8.3 μm	
Resolution depth	8 bit / 10 bit (b/w only); 12 bit (ADC)	
Lens mount	C-Mount	
Digital interface	IEEE 1394 IIDC v. 1.3	
Transfer rate	100 Mitb/s, 200 Mitb/s, 400 Mitb/s	
Frame rates	Up to 53 Hz in Format_7	up to 53 Hz in Format_7 Raw8; 36 Hz (YUV 4:2:2); 49 Hz (YUV 4:1:1); 21 Hz (RGB8)
Gain control	Manual: 0-24 dB (0.035 dB/step); auto gain (select. AOI)	
Shutter speed	20 ...67.108.864 μs (67 s); auto shutter (select. AOI)	
External trigger shutter	Trigger_Mode_0, Trigger_Mode_1, advanced feature: Trigger_Mode_15 (bulk); image transfer by command; trigger delay	
Smart features	Real-time shading correction; image sequencing; built in FIFO memory up to 13 frames; one user programmable look-up table; 2 configurable inputs, 2 configurable outputs, image mirror (L-R<->R-L), binning, secure image signature (SIS), user profiles, serial port (IIDC V1.3)	
Power requirements	DC 8 V – 36 V via IEEE 1394 cable or 12-pin HIROSE	
Power consumption	Less than 3 watt (@ 12 V DC)	
Dimensions	72 mm x 44 mm x 29 mm (L x W x H); w/o tripod and lens	
Mass	<120 g (without lens)	
Operating temperature	+5 ...+ 45 °Celsius	
Storage temperature	-10 ...+ 60 °Celsius	
Regulations	EN 55022, EN 61000, EN 55024, FCC Class B; DIN ISO 9022, RoHS (2002/95/EC)	
Options	Removable IR cut filter; host adapter card, locking IEEE 1394 cable, AVT FirePackage / Direct FirePackage / Fire4Linux	