



adept electronic

adept
electronic solutions

**The Machine Vision and
Imaging Specialists**

Perth: +61 (08) 9242 5411

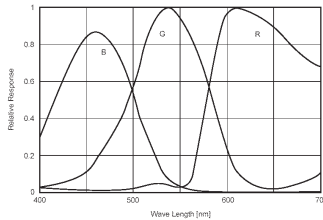
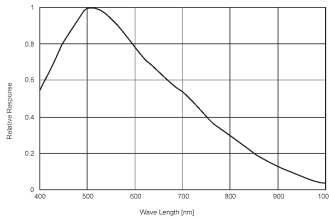
Sydney: +61 (02) 9979 2599

Melbourne: +61 (03) 9555 5621

Email: adept@adept.net.au

Web: <http://www.adept.net.au>

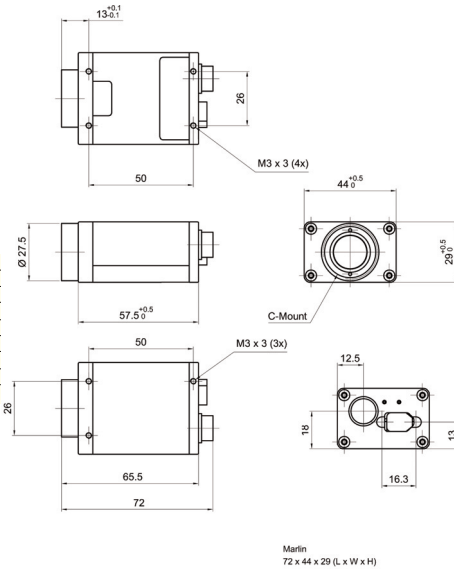
AVT Marlin F-080B / F-080C



Sensor specifications b/w; color (extracted from the data sheet of the sensor - excluding lens and filter)

Martin F-080B/C		Martin F-080B/C-30fps	
AOI height / pixel	Frame rate / fps	AOI height / pixel	Frame rate / fps
778	20.0	778	30.2
768	20.3	768	30.5
600	25.0	600	37.7
480	30.0	480	45.2
240	46.8	240	75.4
120	73.3	120	113.1
60	99.2	60	150.8

Pin	Descriptions	Use
1	Ground	GND for RS232 and ext. power
2	Power In (CCD only)	
3		
4	Input1/Trigger	TTL, Edge, progr.
5		
6	Output 1 /IntEna	Open emitter
7	Input Ground	Common ground for inputs
8	RS232 RxD	
9	RS232 TxD	
10	OutVCC	Common VCC for outputs
11	Input 2	TTL
12	Output 2	Open emitter



Connections

Dimensions

Camera Specifications

	MARLIN F-080B (b/w)	MARLIN F-080 C (color)
Image device	Type 1/3 (diag. 6 mm) progressive scan SONY CCD	
Effective picture elements	1032 (H) x 778 (V): mono	1032 (H) x 778 (V) @ Raw8; 1032 (H) x 776 (V) @ YUV
Picture size	1024 x 768 pixels (Format_1); supporting all smaller fixed formats; up to 1032 x 778 pixels (Format_7 Mode_1)	
Cell size	4.65 µm x 4.65 µm	
Resolution depth	8 bit / 10 bit (b/w only) up to 12 bit (ADC)	
Lens mount	C-Mount; CS-Mount on demand	
Digital interface	IEEE 1394 IIDC v. 1.3	
Transfer rate	100 Mbit/s, 200 Mbit/s, 400 Mbit/s	
Frame rates	Up to 20 Hz in Format_7 optional: up to 30 Hz (Format_7)	up to 20/30 Hz in Format_7 Raw8; 20/27 Hz (YUV 4:1:1); 20/20 Hz (YUV 4:2:2); 13Hz (RGB8)
Gain control	Manual: 0-24 dB (0.035 dB/step); auto gain (select. AOI)	
Shutter speed	20 ...67.108.864 µs (67 s); auto shutter (select. AOI)	
External trigger shutter	Trigger_Mode_0, Trigger_Mode_1, advanced feature: Trigger_Mode_15 (bulk); image transfer by command; trigger delay	
Smart features	Real-time shading correction; image sequencing; built in FIFO memory up to 7 frames; one user programmable look-up table; 2 configurable inputs, 2 configurable outputs; image mirror (L-R<->R-L), binning, secure image signature (SIS), user profiles, serial port (IIDC V1.3)	
Power requirements	DC 8 V – 36 V via IEEE 1394 cable or 12-pin HIROSE	
Power consumption	Less than 3 watt (@ 12 V DC)	
Dimensions	72 mm x 44 mm x 29 mm (L x W x H); w/o tripod and lens	
Mass	<120 g (without lens)	
Operating temperature	+5...+ 45 °Celsius	
Storage temperature	-10...+ 60 °Celsius	
Regulations	EN 55022, EN 61000, EN 55024, FCC Class B; DIN ISO 9022, RoHS (2002/95/EC)	
Options	Removable IR cut filter, host adapter card, locking IEEE 1394 cable, AVT FirePackage /Direct FirePackage / Fire4Linux	