



Allied Vision



SMARTER IMAGING FOR BETTER LIVES

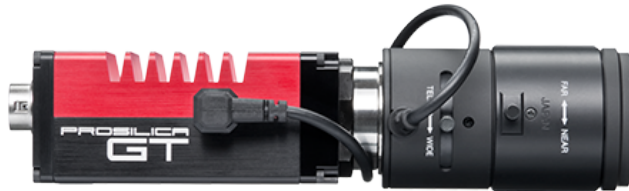
Perth: +61 (08) 9242 5411 Sydney: +61 (02) 9905 5551  
Melbourne: +61 (03) 9384 1775

Email: sales@adeptturnkey.com.au  
Web site: www.adept.net.au



# Prosilica GT

## 1380



- Versatile temperature range for extreme environments
- PTP
- PoE
- P-Iris and DC-Iris lens control

## Description

### High sensitivity 1.4 Megapixel CCD camera for extreme environments

Prosilica GT1380 is a 1.4 Megapixel camera with a Gigabit Ethernet interface (GigE Vision®). GT1380 incorporates the incomparable Sony ICX285 CCD sensor with EXview technology providing high-sensitivity, low noise, excellent antiblooming, and superb image quality. GT1380 is a rugged camera designed to operate in extreme environments and fluctuating lighting conditions. GT1380 offers Precise iris lens control allowing users to fix the aperture size to optimize depth of field, exposure and gain without the need for additional control elements.

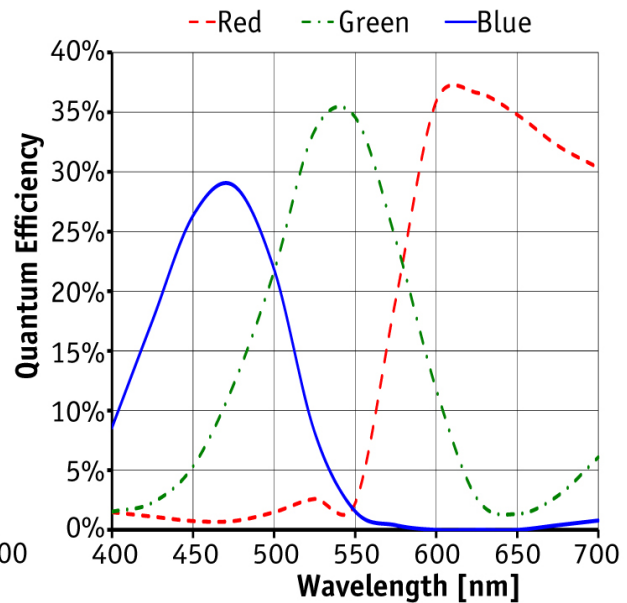
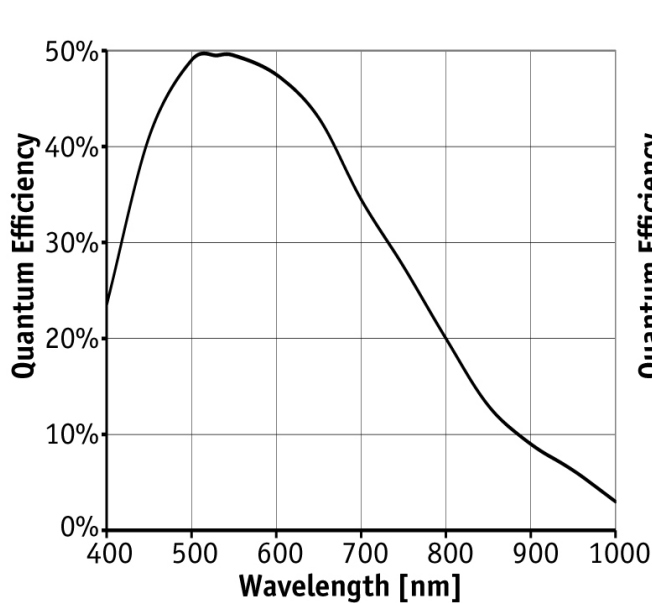
Options:

- Various IR cut/pass filters and lens mounts

## Specifications

Prosilica GT	1380
Interface	IEEE 802.3 1000BASE-T, IEEE 802.3af (PoE)
Resolution	1360 × 1024
Sensor	Sony ICX285
Sensor type	CCD Progressive
Sensor size	Type 2/3
Cell size	6.45 µm
Lens mount	C (adjustable)
Max frame rate at full resolution	30.5 fps
ADC	14 bit
On-board FIFO	128 Mbyte
<b>Output</b>	
Bit depth	14 (mono) - 12 (color) bit
Mono modes	Mono8, Mono12, Mono12Packed, Mono14

<b>Prosilica GT</b>	<b>1380</b>
Color modes YUV	YUV411Packed, YUV422Packed, YUV444Packed
Color modes RGB	RGB8Packed, BGR8Packed
Raw modes	BayerRG8, BayerRG12, BayerRG12Packed
<b>General purpose inputs/outputs (GPIOs)</b>	
TTL I/Os	1
Opto-isolated I/Os	1 input, 2 outputs
RS-232	1
<b>Operating conditions/dimensions</b>	
Operating temperature	-20°C ... +65°C
Power requirements (DC)	PoE, or 7-25 VDC
Power consumption (@12 V)	4.2 W (PoE) /3.4 W @ 12 VDC
Mass	211 g
Body dimensions (L × W × H in mm)	86 × 53.3 × 33 (including connectors, w/o tripod and lens)
Regulations	CE, FCC Class A, RoHS (2011/65/EU)



## Features

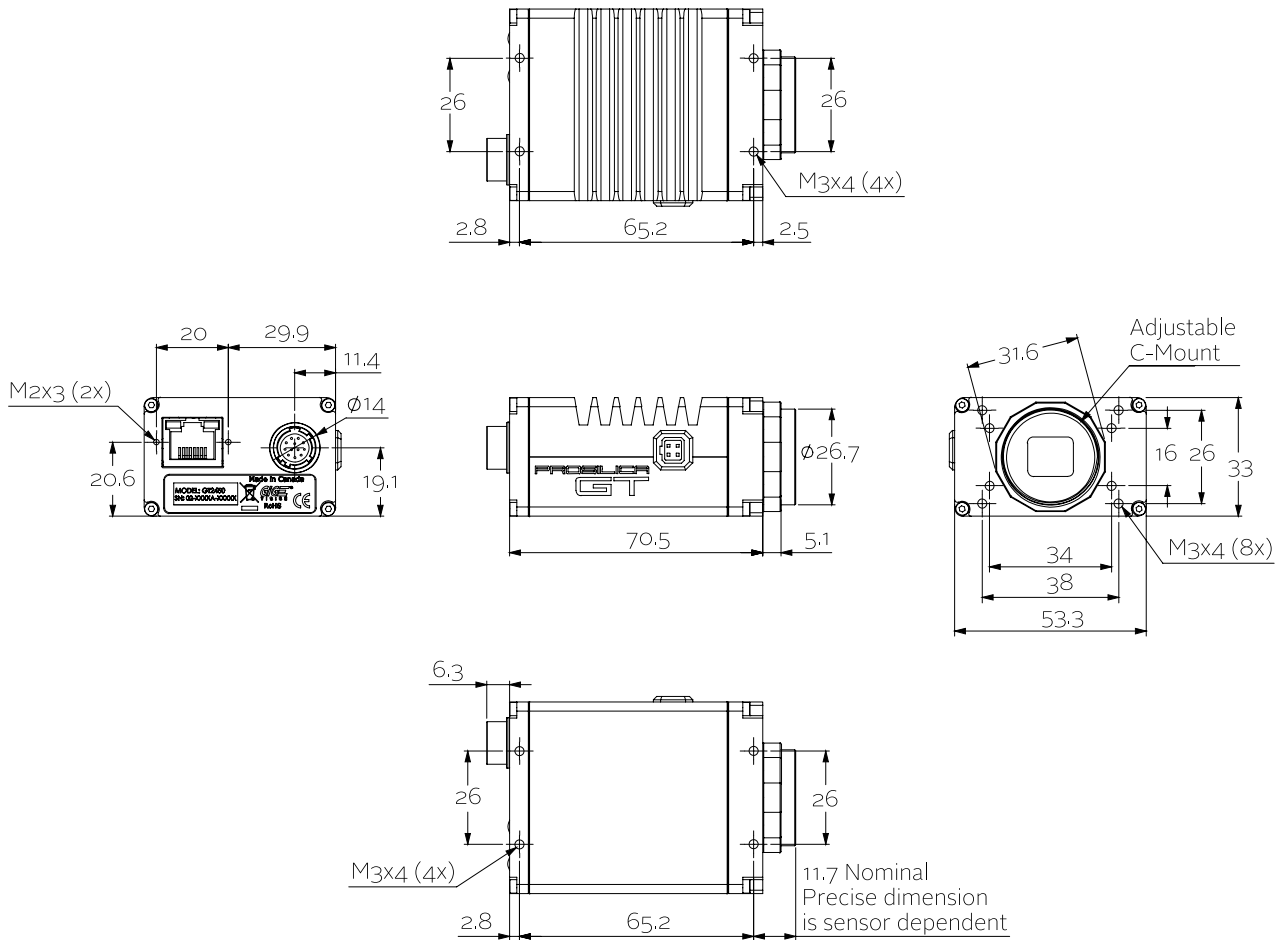
Prosilica GT1380 features include:

- Precision Time Protocol (IEEE 1588)
- Camera temperature monitoring
- Auto iris (P-Iris and DC-Iris)



- ROI, separate ROI for auto features
- Binning
- Auto gain (manual gain control: 0 to 34 dB)
- Auto exposure (manual exposure control: 10  $\mu$ s to 77.3 s)
- Auto white balance
- LUTs (look-up tables)
- Gamma
- Hue, saturation, color correction
- StreamBytesPerSecond (easy bandwidth control)
- Stream hold
- Sync out modes: Trigger ready, input, exposing, readout, imaging, strobe, GPO
- Event channel
- Chunk data
- Storable user sets

## Technical drawing



## Applications

Prosilica GT1380 is ideal for a wide range of applications including:



- Outdoor imaging
- Traffic imaging / ITS
- Public security and surveillance
- Industrial inspection
- Machine vision
- Military and space applications