

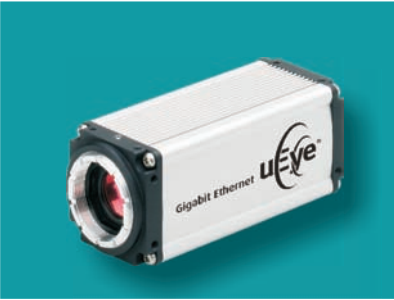
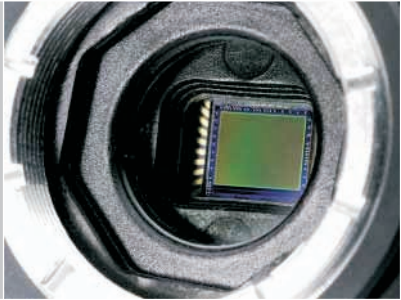


adept electronic

adept electronic solutions

The Machine Vision and Imaging Specialists

Perth: +61 (08) 9242 5411
Sydney: +61 (02) 9979 2599
Melbourne: +61 (03) 9555 5621
Email: adept@adept.net.au
Web: <http://www.adept.net.au>



Gigabit Ethernet uEye® UI-6230-C/M

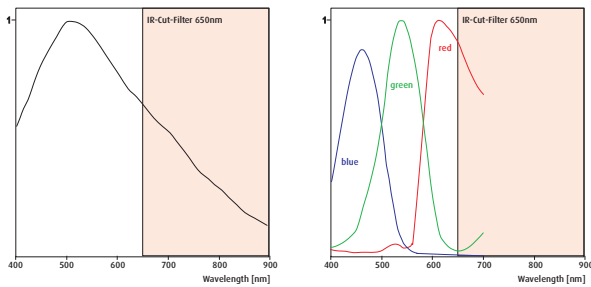
XGA Camera with 1/3" CCD Sensor

Gigabit Ethernet uEye® UI-6230-M / UI-6230-C



The Gigabit Ethernet uEye® family

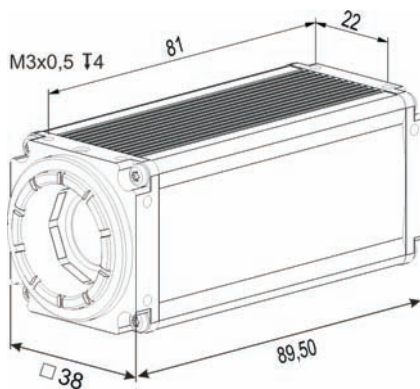
The Gigabit Ethernet uEye® extends the broad range of USB cameras by powerful models for sophisticated, complex machine vision and image processing applications. The bandwidth is 2.5 times higher than with USB and cable lengths up to 100 m are possible.



Sensor characteristics

UI-6230-M

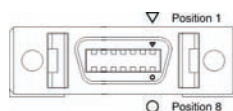
UI-6230-C



Dimensions of the Gigabit Ethernet uEye® models

Pin assignment MDR14 Multi I/O connector

Pin Notation	Description
1 GND	Ground
2 VCC	Power supply
3 TriggerGND	Trigger ground (potential-free)
4 TriggerIN	Trigger input (potential-free)
5 FlashOut	Flash output (potential-free)
6 Vext	External flash power supply (potential-free)
7 GND	Ground
8 GND	Ground
9 VCC	Power supply
10 GPIO1	General Purpose I/O 1 (not potential-free)
11 GPIO2	General Purpose I/O 2 (not potential-free)
12 RxD	RS232 Rx/D (not potential-free)
13 TxD	RS232 Tx/D (not potential-free)
14 GND	Ground



Power supply: 6 - 24V (12V recommended)

Connectors of the Gigabit Ethernet uEye® models



The characteristics at a glance

Interface	Gigabit Ethernet
Sensor Technology	CCD (Sony)
Model description (color)	UI-6230-C
Model description (Mono)	UI-6230-M
Resolution (h x v)	1024 x 768
Resolution Category / Pixel Class	XGA
Sensor size	1/3"
Shutter	Global
max. fps in Freerun Mode at full resolution	30 fps
max. fps in SW Trigger Mode at 1 ms exposure	27 fps
Exposuretime in Freerun Mode	66 µs - 1 s
Exposuretime in Trigger Mode	66 µs - 10 min
AOI Modes	H + V ²
AOI with 320 x 240 Pixels (CIF)	78 fps
Subsampling Modes	-
Subsampling Factors	-
Resolution, fps	-
Binning Modes	V ² (Mono)
Binning Method	V: Sum
Binning Factors	x2, x4
Resolution, fps	1024 x 384, 53 fps 1024 x 192, 85 fps
Mono: Maximum Gain	10,4x
Color: Maximum Gain RGB/Master	4x /7,5x
Additional Gain Boost with Factor	2x (Mono)
Sensor Model	ICX204
Pixel Clock	5 - 30 MHz
Pixelpitch in µm	4,65
Full Well Capacity	12.000 e-
Optical Size	4,76 x 3,57 mm
Aspect Ratio	4:3
Exact Real Diagonal	6,0 mm, 1/2,7"

In scope of delivery:

Powerful, easy to handle uEye SDK
uEye Demo and Programexamples
executable and Source Code.
uEye Camera Manager
TWAIN, Active-X and Direct Show
(WDM) drivers
Interfaces for Activision Tools,
Common Vision Blox, HALCON,
LabVIEW and Neurocheck
GenICam™ Interface²

Driver for Windows 2000², XP, VISTA²
and Linux^{2*}

² = Use increases frame rate
^{*} = in preparation (end of 2007)

