

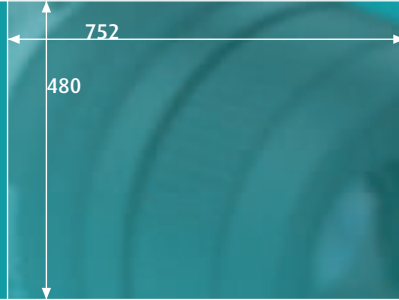


adept electronic

**adept
electronic solutions**

**The Machine Vision and
Imaging Specialists**

Perth: +61 (08) 9242 5411
Sydney: +61 (02) 9979 2599
Melbourne: +61 (03) 9555 5621
Email: adept@adept.net.au
Web: <http://www.adept.net.au>



iDS

GigE uEye[®] UI-5220SE-C/M

WVGA Camera with 1/3" CMOS Global Shutter Sensor

GigE uEye® SE UI-5220SE-M / UI-5220SE-C



The characteristics at a glance

Gigabit Ethernet
CMOS
UI-5220SE-C
UI-5220SE-M

752 x 480
WVGA

1/3"
Global

91,5 fps

60 fps

76 µs - 5,5 s
76 µs - 5,5 s

H² + V²
211 fps

H + V
x2, x4
376 x 240, 91 fps
188 x 120, 91 fps

H² + V² (Mono)
H + V: Average
x2, x4

376 x 240, 234 fps
188 x 120, 400 fps

4x
5x (SW)/4x
1,6x

MT9V022
5 - 42 (59) MHz

6,0
30.000 e-
4,51 x 2,88 mm
14:9
5,4 mm, 1/3,0"

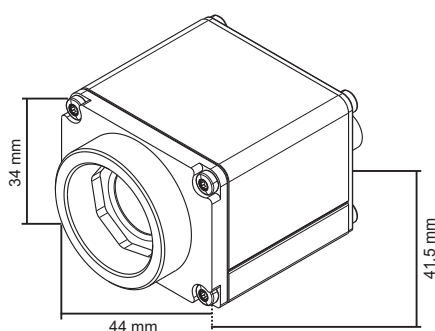
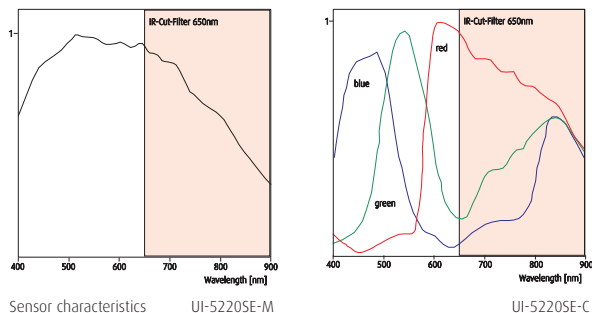
λ = Use increases frame rate

* = in preparation



The GigE uEye® SE family

The GigE uEye® SE extends the broad range of uEye® industrial cameras by very compact models with Gigabit Ethernet interface, specially tailored to the needs of plant and machinery manufacturers. The bandwidth is 2.5 times higher than with USB and cable lengths up to 100 m are possible.



Dimensions GigE uEye SE CMOS-Model

Interface
Sensor Technology
Model description (color)
Model description (Mono)

Resolution (h x v)
Resolution Category / Pixel Class

Sensor size
Shutter

max. fps in Freerun Mode
at full resolution
max. fps in SW Trigger Mode
at 1 ms exposure

Exposuretime in Freerun Mode
Exposuretime in Trigger Mode

AOI Modes
AOI with 640 x 480 Pixels

Subsampling Modes
Subsampling Factors
Resolution, fps

Binning Modes
Binning Method

Binning Factors
Resolution, fps

Mono: Maximum Gain
Color: Maximum Gain RGB/Master
Additional Gain Boost with Factor

Sensor Model
Pixel Clock

Pixelpitch in µm
Full Well Capacity
Optical Size
Aspect Ratio
Exact Real Diagonal

In scope of delivery:

Powerful, easy to handle uEye SDK
uEye Demo and Programexamples
executable and Source Code.
uEye Camera Manager
TWAIN, Active-X and Direct Show
(WDM) drivers
Interfaces for Activision Tools,
Common Vision Blox, HALCON,
LabVIEW and Neurocheck
GeniCam™ Interface

Driver for Windows 2000, XP, VISTA
and Linux*