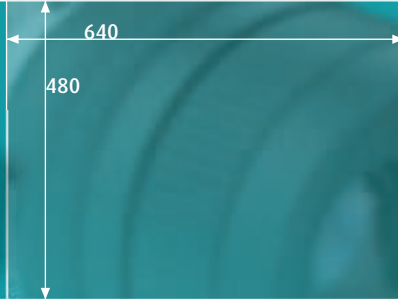


adept electronic

**adept electronic solutions**

**The Machine Vision and Imaging Specialists**

Perth: +61 (08) 9242 5411  
Sydney: +61 (02) 9979 2599  
Melbourne: +61 (03) 9555 5621  
Email: [adept@adept.net.au](mailto:adept@adept.net.au)  
Web: <http://www.adept.net.au>



**iDS**

GigE uEye® UI-6210SE-C/M

VGA Camera with 1/2" CCD Sensor

# GigE uEye® SE UI-6210SE-M / UI-6210SE-C



## The characteristics at a glance

Gigabit Ethernet  
CCD (Sony)  
UI-6210SE-C  
UI-6210SE-M

Interface  
Sensor Technology  
Model description (color)  
Model description (Mono)  
Resolution (h x v)  
Resolution Category / Pixel Class

640 x 480  
VGA

Sensor size  
Shutter

1/2"  
Global

max. fps in Freerun Mode at full resolution  
max. fps in SW Trigger Mode at 1 ms exposure

75 fps  
65 fps

Exposuretime in Freerun Mode  
Exposuretime in Trigger Mode

40 µs - 630 ms  
40 µs - 10 min

AOI Modes  
AOI with 320 x 240 Pixels (CIF)

H + V²  
122 fps

Subsampling Modes  
Subsampling Factors  
Resolution, fps

-  
-  
-

Binning Modes  
Binning Method

H + V² (Mono)  
H + V: Sum

Binning Factors  
Resolution, fps

x2, x3, x4  
320 x 240, 135 fps  
212 x 160, 183 fps  
160 x 120, 221 fps  
20,78x  
4x /12x  
2x (Mono)

Mono: Maximum Gain  
Color: Maximum Gain RGB/Master  
Additional Gain Boost with Factor

ICX414  
5 - 30 MHz

Pixelpitch in µm  
Full Well Capacity  
Optical Size  
Aspect Ratio  
Exact Real Diagonal

9,9  
32.000 e-  
6,34 x 4,75 mm  
4:3  
7,9 mm, 1/2,0"

In scope of delivery:

Powerful, easy to handle uEye SDK  
uEye Demo and Programexamples  
executable and Source Code.  
uEye Camera Manager  
TWAIN, Active-X and Direct Show  
(WDM) drivers  
Interfaces for Activision Tools,  
Common Vision Blox, HALCON,  
LabVIEW and Neurocheck  
GeniCam™ Interface

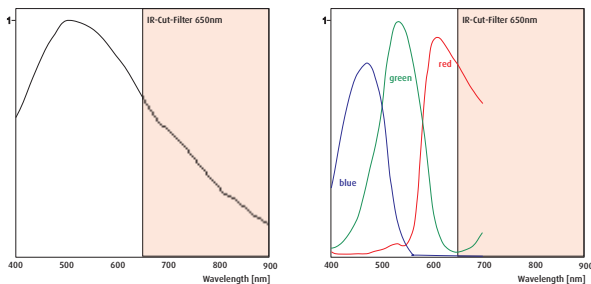
² = Use increases frame rate  
\* = in preparation

Driver for Windows 2000, XP, VISTA  
and Linux\*



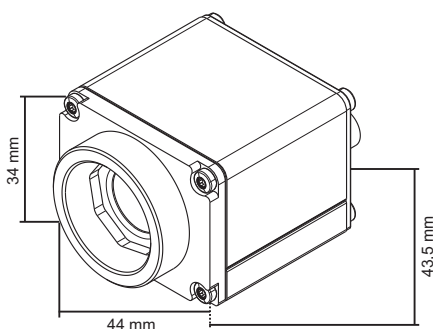
## The GigE uEye® SE family

The GigE uEye® SE extends the broad range of uEye® industrial cameras by very compact models with Gigabit Ethernet interface, specially tailored to the needs of plant and machinery manufacturers. The bandwidth is 2.5 times higher than with USB and cable lengths up to 100 m are possible.



Sensor Characteristics UI-6210SE-M

UI-6210SE-C



Dimensions GigE uEye SE CCD-Model