

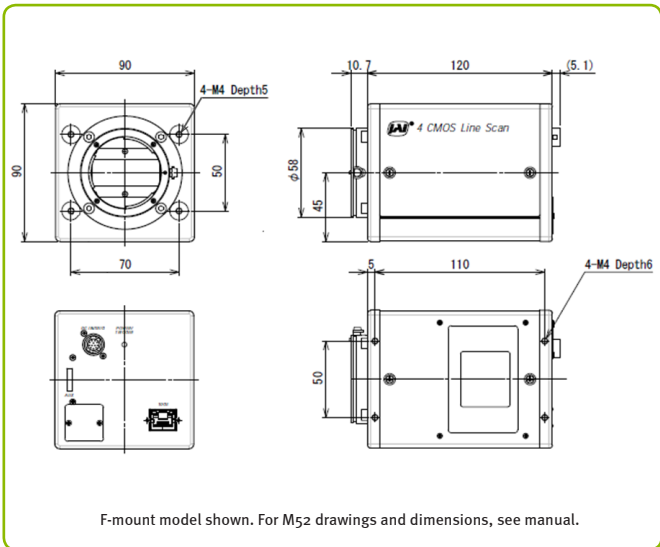


# Specifications for SW-4000Q-10GE

# Sweep+ Series

Specifications	SW-4000Q-10GE
Scanning system	4 high-speed CMOS line sensors, prism-mounted
Active pixels	4 x 4096 pixels (R, G, B, NIR)
Line rate (full width)	Up to 72 kHz (variable) for 8-bit RGB + NIR 74 kHz possible with YUV compression
Sensor width	30.72 mm
Pixel size	Mode A: 7.5 µm x 7.5 µm Mode B: 7.5 µm x 10.5 µm
Ethernet speeds	10GBASE-T, 5GBASE-T, 2.5GBASE-T, 1000BASE-T Full backwards compatibility
Video output	Single stream: RGBa8 Two streams: RGB8, RGB10V1Packed, RGB10p32, YUV422_8_UVYV, YUV422_8 (visible) Mono8, Mono10Packed (NIR)
Object illuminance (min.)	300 lx @ 7800 K, Mode A (Gain 18 dB, 525 µs exp., 50% video, f/2.8)
Responsivity	RGB: 118 DN/nJ/cm <sup>2</sup> @ 550 nm (G channel) NIR: 64 DN/nJ/cm <sup>2</sup> @ 800 nm (Mode A, 10-bit, 0 dB gain)
S/N ratio	>55 dB on green, 10-bit with 0 dB gain
Inputs (Trigger)	1 Opto In + 1 TTL via 12-pin, 2 TTL via 10-pin, Pulse Generator (4), NAND Out (2), Action (4), User Out (4)
Outputs	2 TTL via 12-pin, 2 TTL via 10-pin
Gain	Analog Base Gain: 0 dB / 6 dB / 12 dB Digital Master: 0 to +18 dB, R/B/NIR: -4 to +12 dB Digital Individual: 0 to +24 dB
White balance	Manual/one-push auto by gain or exposure
Gamma	0.45 to 1.0 (9 steps) or 257-point LUT
Image processing	PRNU/DSNU, black level, flat shading and color shading correction, chromatic aberration adjustment, horizontal mirroring
Color space conversion	RGB or RGBa8 to HSI, XYZ (CIE), sRGB, Adobe RGB, or User Custom RGB
Exposure modes	No shutter, timed, and trigger width control
Electronic shutter	3 µs to 13889 µs in 1 µs increments at 72 kHz. Exposure time can be longer at slower line rates.
Pulse width control	1.8 µs to ~1 sec
Time synchronization	Support for Precision Time Protocol (IEEE 1588)
Lens mount	M52 mount or Nikon F-mount (46.5 mm flange back for both mounts)
Operating temp. (ambient)	-5°C to +45°C (20 to 80% non-condensing)
Storage temp. (ambient)	-25°C to +60°C (20 to 80% non condensing)
Vibration	3G (20 Hz to 200 Hz, XYZ directions)
Shock	50G
Regulations	CE (EN61000-6-2, EN61000-6-3) FCC Part 15 Class B, RoHS/WEEE
Power	12-pin PoE +10V to +25V DC. 19.3 W typical @ 12V Not supported.
Dimensions (H x W x L)	(without connector and lens mount protrusions) 90 mm x 90 mm x 120 mm
Weight	980 g

## Dimensions (F-mount)



## Connector pin-out

### DC In / Trigger

HIROSE HR10A-10R-12PB(71)

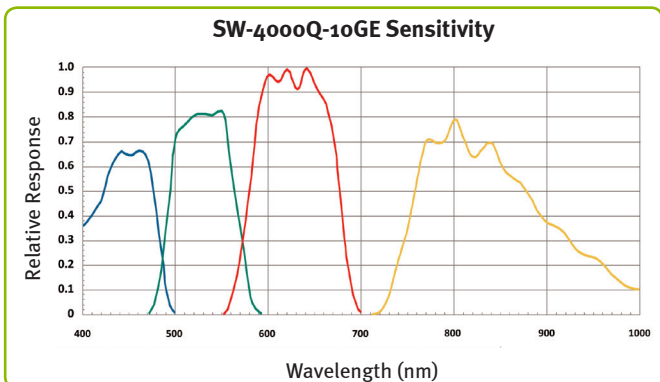
Pin	Signal
1	Ground
2	DC in +10V to +25V
3	Ground
4	Reserved
5	Opto in 1-
6	Opto in 1+
7	TTL out 4
8	NC
9	TTL out 1
10	TTL in 1
11	DC in +10V to +25V
12	Ground

### GigE Vision Interface

RJ-45 with locking screws

Pin	Signal
1	TRD+ (0)
2	TRD- (0)
3	TRD+ (1)
4	TRD+ (2)
5	TRD- (2)
6	TRD- (1)
7	TRD+ (3)
8	TRD- (3)

## Spectral response



## Ordering Information

SW-4000Q-10GE-F	4-CMOS prism line scan camera with F-mount
SW-4000Q-10GE-M52	4-CMOS prism line scan camera with M52 mount

**Europe, Middle East & Africa**  
Phone +45 4457 8888  
Fax +45 4491 8880

**Asia Pacific**  
Phone +81 45 440 0154  
Fax +81 45 440 0166

**Americas**  
Phone (Toll-Free) 1 800 445 5444  
Phone +1 408 383 0300

