



adept electronic solutions

adept electronic solutions

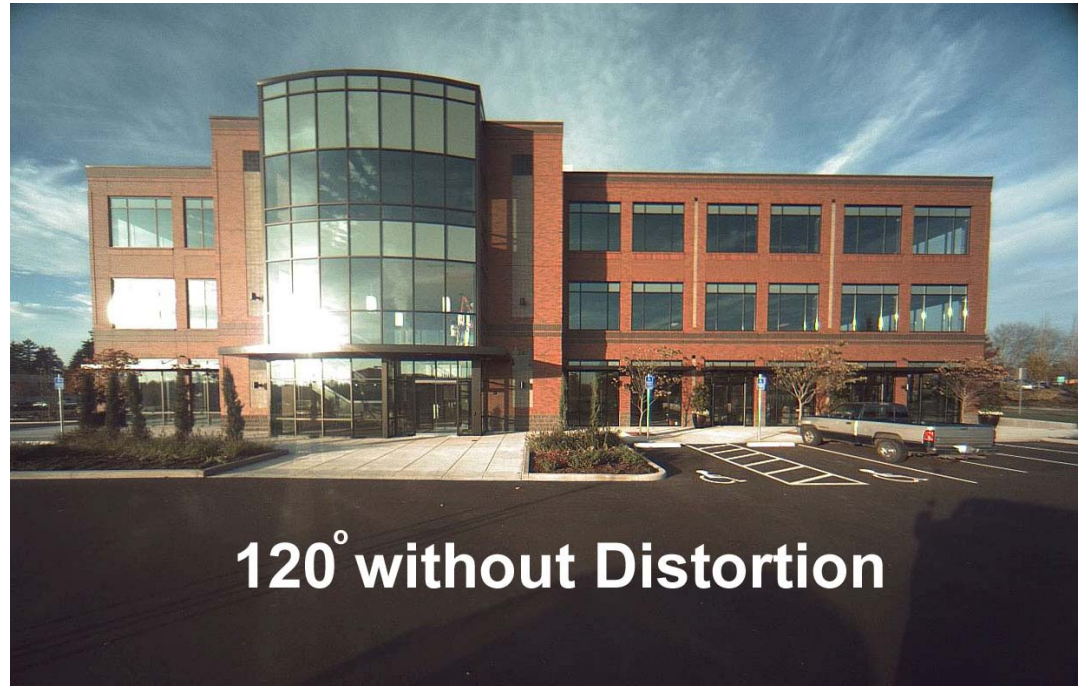
The Machine Vision and Imaging Specialists

Perth: +61 (08) 9242 5411
Sydney: +61 (02) 9979 2599
Melbourne: +61 (03) 9555 5621
Email: adept@adept.net.au
Web: http://www.adept.net.au

Theia TECHNOLOGIES

Adept Electronic Solutions www.adept.net.au

SY110 Megapixel Lens Ultra-wide - Day/Night - No Distortion



120° without Distortion

- Ultra wide horizontal field of view up to 120° provides greater security
Patented Linear Optical Technology™ enables no barrel distortion for maximum resolution
IR corrected for Day/Night cameras
Supports multi megapixel resolution cameras for demanding applications
Near and far objects continuously in focus without lens adjustment
Available with CS-mount and with auto or manual iris




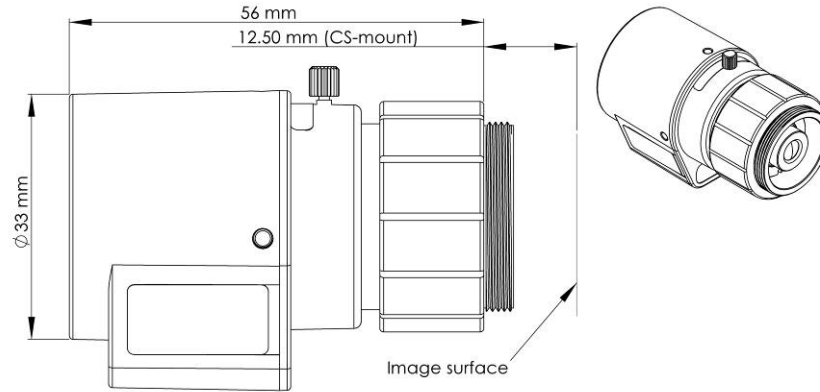
Typical wide angle lens

Lenses SY110A CS-mount DC-autoiris lens SY110M CS-mount manual iris lens LINEAR OPTICAL TECHNOLOGY

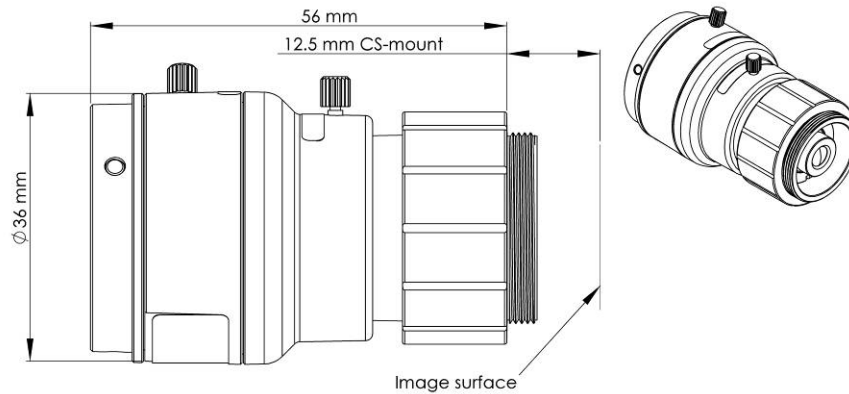
Table with 4 columns: Sensor size, Field of view (H), Field of view (V), Field of view (D). Rows include 1/4", 1/3", and 1/2.5" sensor sizes.

*Some vignetting may occur using a 1/2.5" sensor depending on sensor mechanical tolerance.

Lenses	SY110A CS-mount DC-autoiris lens SY110M CS-mount manual iris lens	 LINEAR OPTICAL TECHNOLOGY
Focal length	1.67mm	
F/#	F/1.8 to closed	
Resolution	Multi-Megapixel	
Distortion (H)	<1% barrel (for 1/3" sensor)	
Pan-focus distance	10cm to ∞	



SY110A



SY110M

Theia Technologies, in cooperation with Nittoh Kogaku K.K., Suwa, Japan

For more information contact:

Theia Technologies
info@TheiaTech.com
www.TheiaTech.com
Phone: 503-570-3296